

# HYPERION CAMERA

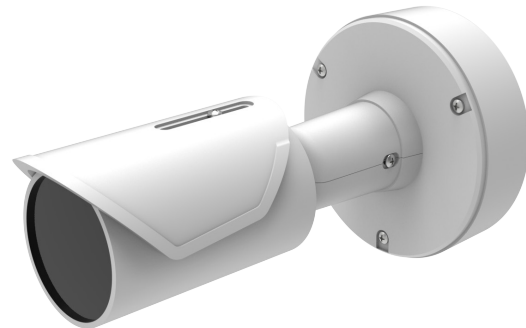
A camera with analytics designed to provide accurate detection and activation of automated response as part of the Hyperion perimeter security solution.

## FEATURES

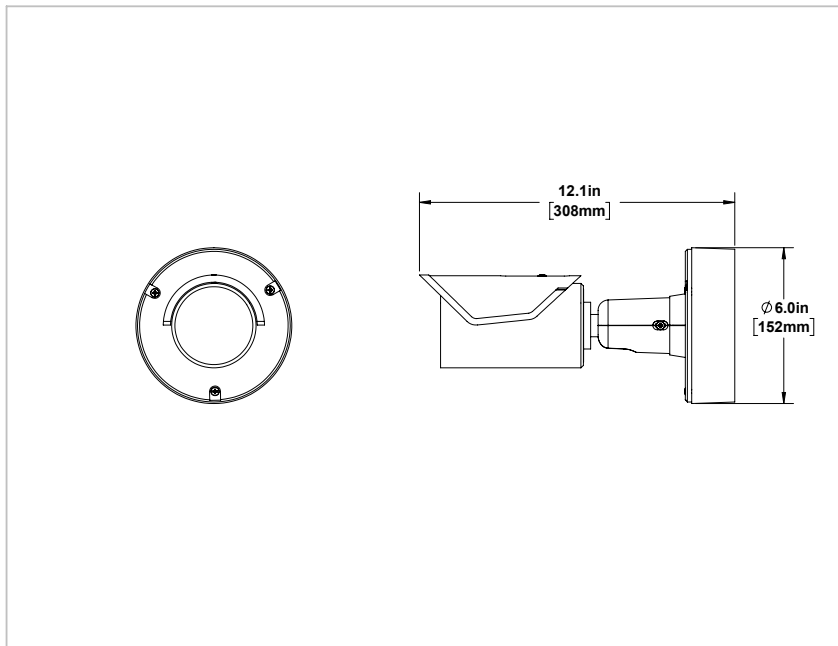
- Accurately Detect Unwanted People and Behavior
- Hyperion Compatible Camera with Detection Analytics
- Outdoor Rated, NEMA 4x Camera Solution
- IK10 Vandal Resistent Design
- UL Listed Product
- Installation-Friendly Design

## MODEL

**HYP-VIB9367-W** Hyperion Camera



## DIMENSIONS



MODEL NUMBER	HYP-VIB9367-W
<b>CAMERA FEATURES</b>	
Image Sensor	1/2.8" Progressive CMOS
Max Resolution	1920x1080 (2MP)
Focal Length	2.7~13.5mm
Aperture	F1.4~F2.8
Iris	P-Iris
FOV (Horizontal)	105°~33° (Horizontal)
Shutter Speed	1/5 sec to 1/32,000 sec
IR	Built-In IR Illumination (IR LED x4) Range: 50M
Minimum Illumination	0 Lux (With IR Illumination On)
Pan and Rotational Range	±180°
Tilt Range	90°
Storage	Micro SD - Includes 64Gb Card
Built-In Installation Aids	Remote Focus and Zoom
<b>VIDEO</b>	
Video Compression	H.265, H.264, MJPEG
Maximum Frame Rate	60 f ps @ 1920x1080
Maximum Streams	3 Video Streams (Up to 8 Configurable Profiles)
Signal-to-Noise Ratio	53 dB
Dynamic Range	120 dB
Video Streaming	Adjustable Resolution, Quality and Bit Rate Control
<b>AUDIO</b>	
Audio Capability	Two-Way Audio (Full Duplex)
Audio Compression	G.711, G.726
Audio Interface	External Microphone Input External Line Output
<b>GENERAL</b>	
Connector	RJ-45 (10/100 Mbps PoE Network Connection) Audio Line Input Audio Line Output DC 12V Power Input Digital Input Digital Output Micro USB
LED Indicator	System Power and Status Indicator
Power Input	DC 12V PoE: IEEE 802.3af PoE Class 0 (Power Redundancy)
Power Consumption	PoE: Max. 10.77/7.77 W (IR on/off) DC 12V: Max 9.24/6.24 W (IR on/off)

<b>PHYSICAL</b>	
Dimensions	5.74"x 11.34" (Diameter x Length)
Weight	4.34 lbs
Operating Temperature	-40°C ~ 60°C (-40°F ~ 140°F) (IR Off) -40°C ~ 50°C (-40°F ~ 122°F) (IR On)
<b>CERTIFICATIONS</b>	
EMC	FCC (FCC Part 15 Subpart B Class A) CE (EN55032 Class A, EN55035, EN 50121-4) RCM (AS/NZS CISPR 32 Class A) VCCI (VCCI-CISPR 32 Class A)
Safety	UL: (UL62368-1) CB: (IEC/EN 62368-1) IEC/EN: (60950-22, IEC/EN 62471)
Environment	Impact: IK10 (IEC62262) Ingress Protection: IP66/67 (IEC 60529); NEMA (NEMA 250 Type 4X) IEC 60068-2-11; IA:BIS (IS13252), BSMI (EMC: CNS 13438, Safety: CNS 14336-1)